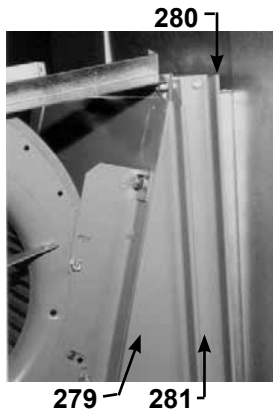


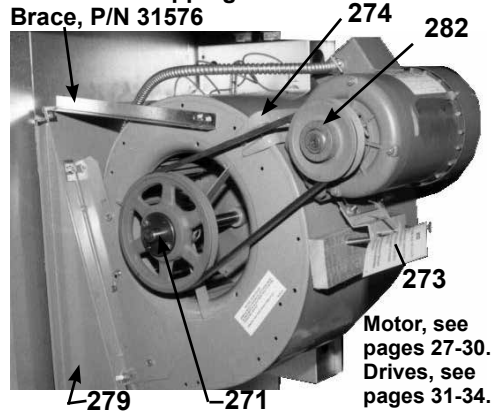
## Cabinet Parts for "B" Type Blower Cabinet Section - Applies to Models RGB & RPB (cont'd)

| Code | Model (C)(H)RGB/RPB Sizes                    | 75/100             | 125    | 150/175            | 200/225   | 250/300             | 350                 | 400    |
|------|--|--------------------|--------|--------------------|-----------|---------------------|---------------------|--------|
| 270A | Blower - Housing, Shaft, Wheel & Bearings    | 1357, Lau A10-10AC |        | 1360, Lau A12-12AC |           | --                  | --                  | --     |
| 270B | Blower - Right Hand Housing & Wheel only     | --                 | --     | --                 | --        | 24229, Lau 2A10-10A | 24231, Lau 2A12-12A |        |
| 270C | Blower - Left Hand Housing & Wheel only      | --                 | --     | --                 | --        | 24230, Lau 2A10-10A | 24232, Lau 2A12-12A |        |
| 271  | Blower Shaft                                 | 11302, 3/4 x 22    |        | 11303, 1 x 22      |           | 10120, 1 x 39-1/4   | 10121, 1 x 44-5/8   |        |
| 272  | Blower Shaft Bearings                        | (2) 7310           |        |                    |           | (2) 10437           |                     |        |
| 273  | Mtr Adjustment Brckt Assy - 1/4-3/4 HP Mtrs  |                    |        |                    | 44411     |                     |                     |        |
| 273A | Hardware Bag only for Code 273               |                    |        |                    | 64940     |                     |                     |        |
| 274  | Motor Mounting Strap - for 1/4 - 3/4 HP Mtrs | 44409              |        | 44410              |           | 44409               | 44410               |        |
| 275  | Motor Mounting Plate - 1-3HP Motor           | 12578              |        | 12579              |           | 12578               | 12579               |        |
|      | Motor Mounting Plate - 5HP Motor             | --                 | --     |                    |           | 12578               |                     |        |
| 276  | Motor Left Support - 1-5 HP Motor            |                    |        |                    | 12576     |                     |                     |        |
| 277  | Motor Right Support - 1-5 HP Motor           |                    |        |                    | 12577     |                     |                     |        |
| 278  | Rod Bolt for Mtr Mntng - 1-5 HP Motor        |                    |        |                    | (2) 12489 |                     |                     |        |
| 279  | Adapter Back for Blower                      | 193986             | 194054 | 194093             |           | 193988              | 194063              | 194064 |
| 280  | Blower Adapter Top and Bottom                | (2) 53277          | --     | --                 | --        | --                  | --                  | --     |
| 281  | Blower Adapter Sides                         | (2) 53278          | --     | --                 | --        | --                  | --                  | --     |
| 282  | Blower Key                                   |                    |        |                    | 19361     |                     |                     |        |

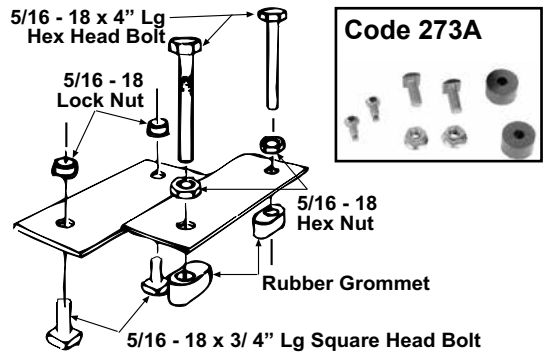
### Blower Adapter - Sizes 75-100



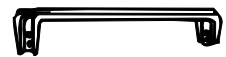
### Blower with a 1/4 - 3/4 HP Motor Horizontal Shipping Brace, P/N 31576



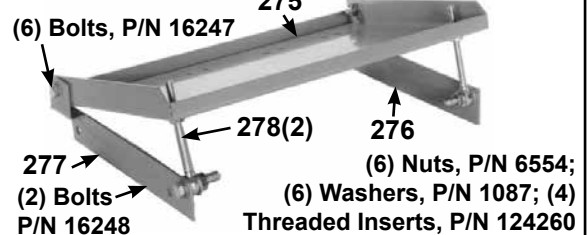
### 273 - Motor Adjustment Bracket and Hardware for 1/4 - 3/4 HP Motor



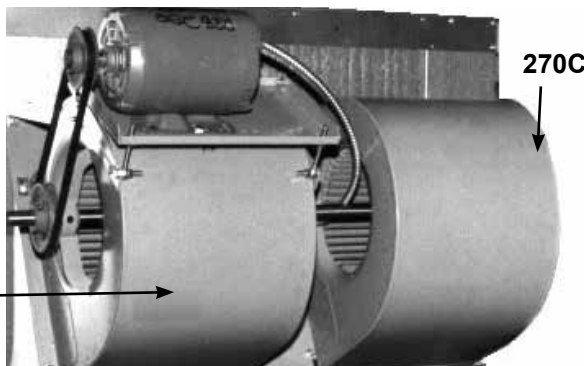
### 274 - Mounting Bracket for 1/4 - 3/4 HP Motor



### Motor Mounting Plate & Hardware for 1-5 HP Motor



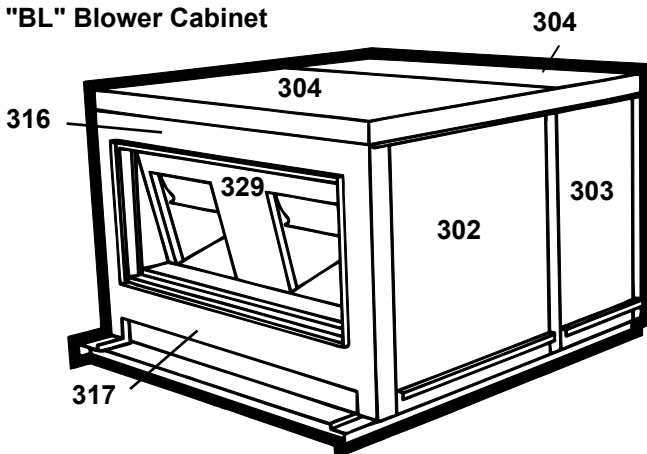
### Left and Right Blowers (Sizes 250-400) with a 1-5 HP Motor



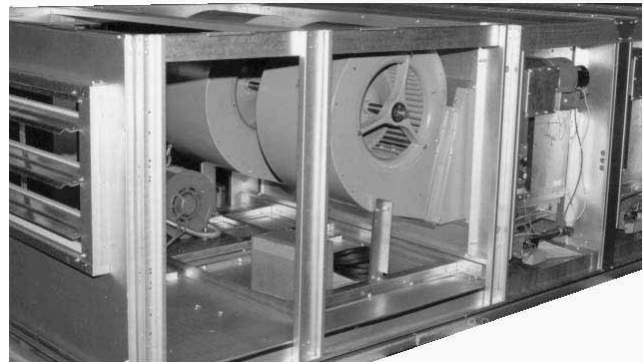
## Cabinet Parts for "BL" Type Blower Cabinet Section - Applies to RGBL, RPBL & PGBL

(For Model RBL cabinet parts, see pages 43-44.)

### "BL" Blower Cabinet



### View of a "BL" Type Blower Cabinet with the Access Panels Removed (with less than 5HP motor)



For replacement filters and blockoff plates, see pages 37 and 38